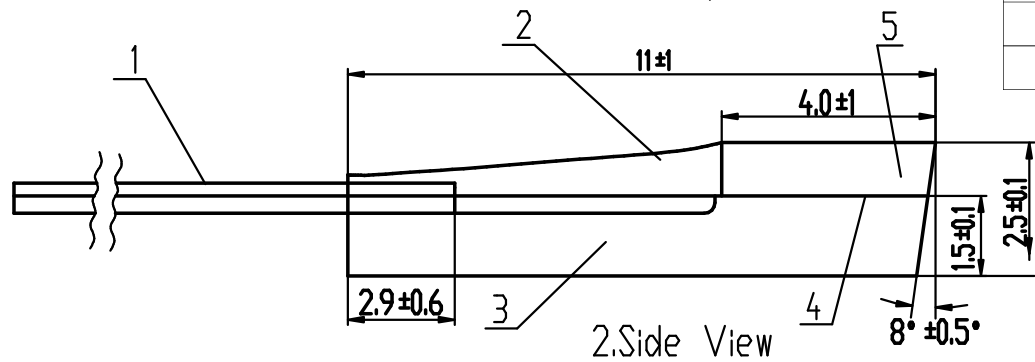
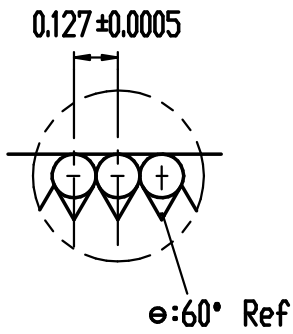


Top Right Fiber NO.1(Blue)

1.Top View



2.Side View



Section A'-A

No.63:黑/ Black	No.64:黑/ Black
No.61:红/ Red	No.62:红/ Red
No.59:白/ White	No.60:白/ White
No.57:灰/ Gray	No.58:灰/ Gray
No.55:棕/ Brown	No.56:棕/ Brown
No.53:绿/ Green	No.54:绿/ Green
No.51:橙/ Orange	No.52:橙/ Orange
No.49:蓝/ Blue	No.50:蓝/ Blue
No.47:黑/ Black	No.48:黑/ Black
No.45:红/ Red	No.46:红/ Red
No.43:白/ White	No.44:白/ White
No.41:灰/ Gray	No.42:灰/ Gray
No.39:棕/ Brown	No.40:棕/ Brown
No.37:绿/ Green	No.38:绿/ Green
No.35:橙/ Orange	No.36:橙/ Orange
No.33:蓝/ Blue	No.34:蓝/ Blue
No.31:黑/ Black	No.32:黑/ Black
No.29:红/ Red	No.30:红/ Red
No.27:白/ White	No.28:白/ White
No.25:灰/ Gray	No.26:灰/ Gray
No.23:棕/ Brown	No.24:棕/ Brown
No.21:绿/ Green	No.22:绿/ Green
No.19:橙/ Orange	No.20:橙/ Orange
No.17:蓝/ Blue	No.18:蓝/ Blue
No.15:黑/ Black	No.16:黑/ Black
No.13:红/ Red	No.14:红/ Red
No.11:白/ White	No.12:白/ White
No.9:灰/ Gray	No.10:灰/ Gray
No.7:棕/ Brown	No.8:棕/ Brown
No.5:绿/ Green	No.6:绿/ Green
No.3:橙/ Orange	No.4:橙/ Orange
No.1:蓝/ Blue	No.2:蓝/ Blue

表 1/Table1.

序号	64 通道 FA 组成部分
PN	64CH FA Parts
1	带纤/Ribbon
2	2 号 UV 胶水/Adhesive UV-02
3	V 型槽/V-Groove
4	1 号 UV 胶水/Adhesive UV-01
5	盖板/Cover Lid

备注/Note :

- V 槽和盖板材质为石英或高硼硅  
The Material Of V-groove And Lid is Quartz Or High Borosilicate
- 光纤类型为 G.657A1 或客户指定/ The Type Of Fiber is G.657A1 Or Customized
- 光纤长度:1000±50,或指定长度/ The Length Of Fiber is 1000±50,Or Customized
- 尾部可加连接器, 连接器型号 (Fiber Pigtail Connector Type) :  
FC/APC、FC/UPC、SC/UPC、SC/APC

苏州易缆微光电技术有限公司 SuZhou Innovopto	绘图/ Drawn By	核对/Collated By	批准/Approved By	图名/Dwg Name	FA64-127图纸/64 CH FA DWG		
				单位/Unit	mm	比例/Scale	10:1
				日期/Date	2017.10.13	版次/Rev	B/0
				投影/Projection	第一角	图号/Dwg No	YLW-FA-008